



# INSTRUCTIONS FOR THE CLOTHES DRYER VENT BOOSTER

Please read and understand these instructions before you begin installation of your DRY04. Save these instructions for future reference.

## IMPORTANT SAFETY INSTRUCTIONS AND WARNINGS



### **CRITICAL WARNING:**

**THE SUNCOURT DRYER VENT KIT IS ONLY APPROVED FOR INSTALLATION FOR ELECTRIC CLOTHES DRYERS.**

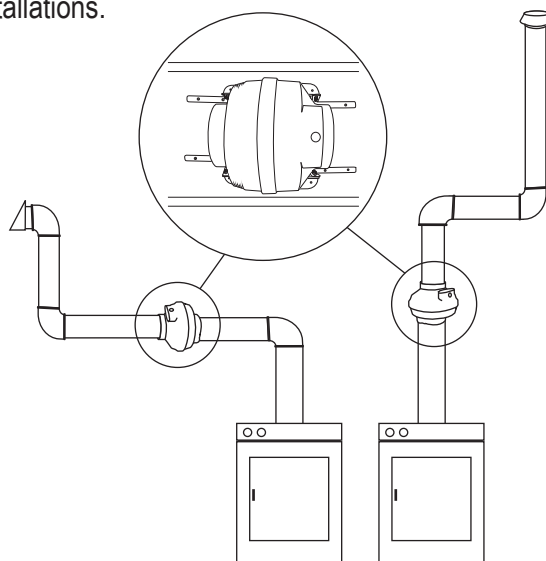
### **General Warnings:**

To reduce the risk of fire, electric shock or injury to persons:

1. Never use this product to exhaust hazardous or flammable materials, vapors or gases.
2. Use this product only for its designed and intended purpose.
3. When the existing vent opening to the outside of the dwelling cannot be used and a new opening is required, use caution not to cut through pipes or wires that may be in the wall.
4. Ducted fans must be vented outdoors.
5. Whenever venting air to the outside of a dwelling, adequate provision must be made for replacement air. Without replacement air, negative pressure may develop. This will cause a deadly situation when fuel-burning equipment is used such as gas furnaces, gas water heaters, etc. The negative pressure will cause exhaust gases from such equipment to enter the dwelling. These gases contain deadly Carbon Monoxide. (As a general remark, install a Carbon Monoxide detector in your home). Follow the heating equipment manufacturers' guidelines and safety standards such as the National Fire Protection Association, the American Society of Heating, Refrigeration and Air Conditioning Engineers and all applicable codes. If you are unsure about this matter, you must consult a certified heating and ventilating contractor.
6. Before cleaning or performing service on your DRY04, make sure that the electricity is shut-off and make provisions to prevent accidental turning-on of power such as locking the service panel or attaching a very prominent warning sign on the service panel.
7. The fan impeller of your DRY04 is powerful enough to cause serious injury if contacted. Appropriate safety precautions must be taken during installation, servicing and operation.
8. Qualified individuals must do the installation and wiring in accordance with all applicable codes & standards including fire rated construction.

### **Installation Guidelines:**

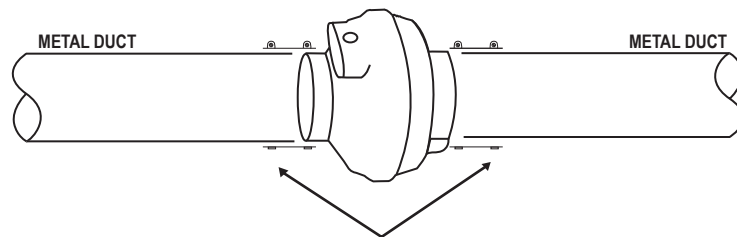
Refer to Fig. 1 for suggested installations.



*To calculate "equivalent" feet, measure the total length of the metal straight duct sections and add 5 feet (1.5 meters) for each bend that is installed. Then add another 5 feet (1.5 meters) for the screened outside exhaust hood.*

Fig. 1

1. The mechanical and electrical installation of your DRY04 must conform to all applicable national and local codes and standards. If unfamiliar with these codes and standards, you must consult with certified and qualified commercial installers.
2. Never expose your DRY04 to air temperatures in excess of 140°F. (60°C).
3. Do not use the DRY04 if the instructions of your clothes dryer specifically warn against the use of a clothes dryer booster fan. Find those instructions and review them carefully. If you cannot locate these instructions, contact the manufacturer for a new set of instructions before proceeding with the installation of your DRY04.
4. There are important rules concerning the length of duct from your dryer to the outside of the dwelling. It is unlikely that you will need a booster fan if the total length of the duct is less than 15 feet. This is assuming that the duct is at least 4" in diameter, has a smooth and clean internal surface, is galvanized sheet metal and that the outside vent is unobstructed.
5. Do not install your DRY04 closer than 6 feet (1.8 meters) to the dryer air outlet.
6. Do not install your DRY04 in a duct with a total equivalent length of less than 25 feet (7.5 meters).
7. Do not install your DRY04 in a duct with a total equivalent length greater than 140 feet (46 meters).
8. A lint trap (field supplied) must be installed between the dryer and your DRY04 in the event the DRY04 is located less than 15 feet (4.5 meters) (linear feet, not equivalent) from the air exhaust of the dryer.
9. Use only galvanized 4" diameter sheet metal duct pipe and bends. Flexible metal duct may be used if allowed by the applicable standards and codes.
10. It is best to install your DRY04 as close to the duct outside outlet as possible.
11. Your DRY04 must be installed where it is comfortably accessible for required maintenance and service.
12. Ensure that all components of your installation are securely fastened to rigid surfaces.
13. You may install two small lengths of flexible duct with hose clamps (field supplied) where the metal ducts connect to the DRY04. This will help reduce vibration and resulting noise. See Fig 2.



OPTIONAL FLEXIBLE DUCT COUPLINGS TO REDUCE VIBRATION NOISE. (FIELD SUPPLIED) USE CLAMPS TO SECURE.

Fig. 2

***Ensure that the airflow through the duct and booster fan does not exceed the free airflow of your dryer. Free airflow is the airflow from the fan inside your dryer without any duct attached and can be found in the instructions provided by its manufacturer. Over-boosting may result in longer drying times because heat is removed so fast that the heating element in your dryer cannot maintain the desired drying air temperature.***

## **! WARNING:**

The installation work and electrical wiring must be carried out by qualified persons and conform to all national and local codes and standards.

Make sure that the electricity is shut-off before starting the electrical work and make provisions to prevent accidental turning-on of power such as locking the service panel or attaching a prominent warning sign on the service panel.

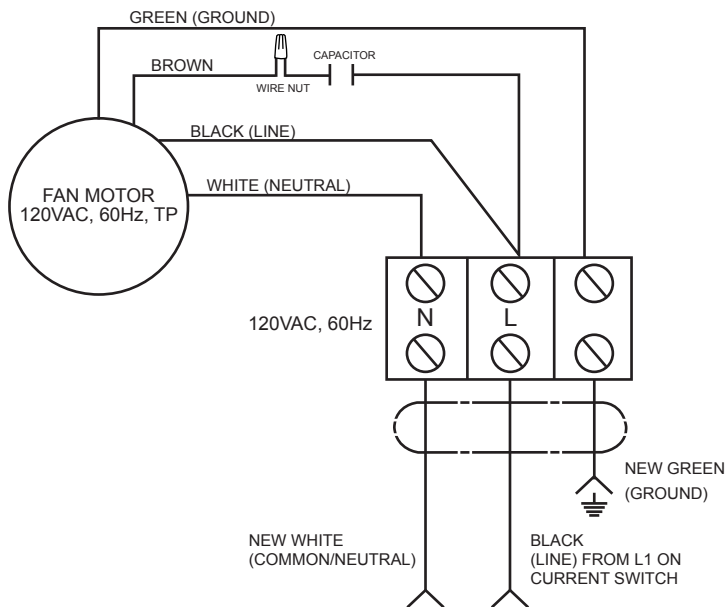
## **! VERY IMPORTANT:**

Since the dryer operates on 240 VAC, there will be 2 breakers for the dryer in the service panel. This can be one large breaker with 2 handles or 2 separate breakers. The handles on these breakers may or may not be connected with a rod between the switches. Make sure both breakers are turned OFF!

Do not turn the electrical power back ON until all electrical connections are completed and secure and all electrical boxes are covered.



Fig. 5



**Check your work thoroughly to ensure the installation is totally correct to reduce the risk of fire, electrical shock or injury. Refer to all previous warnings in these installation and operating instructions.**

### Required Maintenance:

**WARNING:** Before beginning, always turn the power OFF at the service panel and lock or display a prominent tag on the panel to ensure the power is not accidentally turned back on.

To reduce the need for maintenance, make sure the lint filter of your dryer is not damaged, has no holes in it, is securely in place and is cleaned after each drying load.

1. The motor bearings of your DRY04 are permanently sealed. No periodic maintenance is required.
2. The DRY04 fan housing and impeller may become contaminated with lint. Inspect the interior of the fan at least twice a year and more often if reduced air output or vibration of the DRY04 is observed. Do not operate your DRY04 if excessive vibration is noticed.
3. Remove the duct pipe from the intake of the DRY04 and remove any lint buildup that you notice. Make sure that you do not dislodge the metal fan balancing clips on the impeller vanes.
4. Reconnect the duct intake pipe and turn the power back ON.

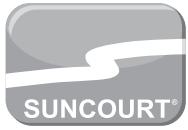
## **LIMITED WARRANTY**

Subject to the following limitation, Suncourt Inc. (manufacturer) warrants that this dryer booster kit will, for 5 (five) years from date of original purchase, remain free from appearance of defects in workmanship or materials when installed in accordance with all applicable codes and standards and fire rated construction in the application for its designed and specified use. This Limited Warranty is subject to the following limitations: (a) manufacturer's liability is limited to the replacement or repair of the unit, as decided by the manufacturer; (b) a defective unit must be returned, prepaid, with proof of purchase, to Suncourt Inc, and (c) this Limited Warranty does not apply if:

- a. Shipping damage occurs. Claims must be filed with the freight company within 1 (one) week.
- b. Damage results from faulty installation or electrical wiring.
- c. Inadequate maintenance.
- d. Damage results from: Incorrect wiring, voltage, voltage spikes from lightning or other sources.
- f. The DRY04/DRY06 is altered or modified in any form whatsoever, including unauthorized repair.
- g. Suncourt ID label is removed.
- h. Damage or failure is due to an act of God.
- i. This product is used in other than a residential application.

This Limited Warranty is given in lieu of all other warranties, guarantees and conditions on manufacturer's part and manufacturer shall have no tortious or other liability with respect to this dryer booster kit.

**Suncourt reserves the right to change product specifications without notice.**



# INSTALLATION INSTRUCTIONS FOR AC CURRENT SWITCH (SW100)

## READ AND SAVE THESE INSTRUCTIONS

### FUNCTION

The AC Current Switch (SW100) can be used to switch on and off remote devices with an amp draw up to 2.5 amps, (e.g. a Suncourt® Centrax® Centrifugal Fan). The AC Current Switch (SW100) will provide power to a remote device when the white (neutral) wire from a triggering device (e.g. a clothes dryer) carrying 1.0 – 50 amps passes through the center of the AC Current Switch (SW100).

**WARNING** - To reduce the risk of fire, electric shock, injury, or death, observe the following:

Use this unit only in the manner intended by the manufacturer. If you have any questions, contact the manufacturer.

Before servicing or cleaning unit, switch power off at service panel and lock service panel to prevent power from being switched on accidentally. When the service disconnecting means cannot be locked, securely fasten a prominent warning device, such as a tag, to the service panel. Suncourt Inc. does not provide electrical connection information. For your safety and protection follow all instructions and adhere to applicable building and/or electrical codes.

**WARNING** – Prior to Installation, switch the power off at service panel and lock service panel to prevent power from being switched on accidentally. Power must be off to the device you are switching and the device that you are sensing the current from.

**WARNING** - To reduce the risk of fire, electrical shock or death, observe the following: Installation work and electrical wiring must be done by qualified person(s) in accordance with all applicable Codes and Standards, including fire-rated construction.

**WARNING** - The combustion airflow needed for safe operation of fuel burning equipment may be affected by this unit's operation. Follow the heating equipment manufacturer's guideline and safety standards such as those published by the National Fire Protection Association (NFPA), and the American Society for Heating, Refrigeration and Air Conditioning Engineers (ASHRAE), and local code authorities.

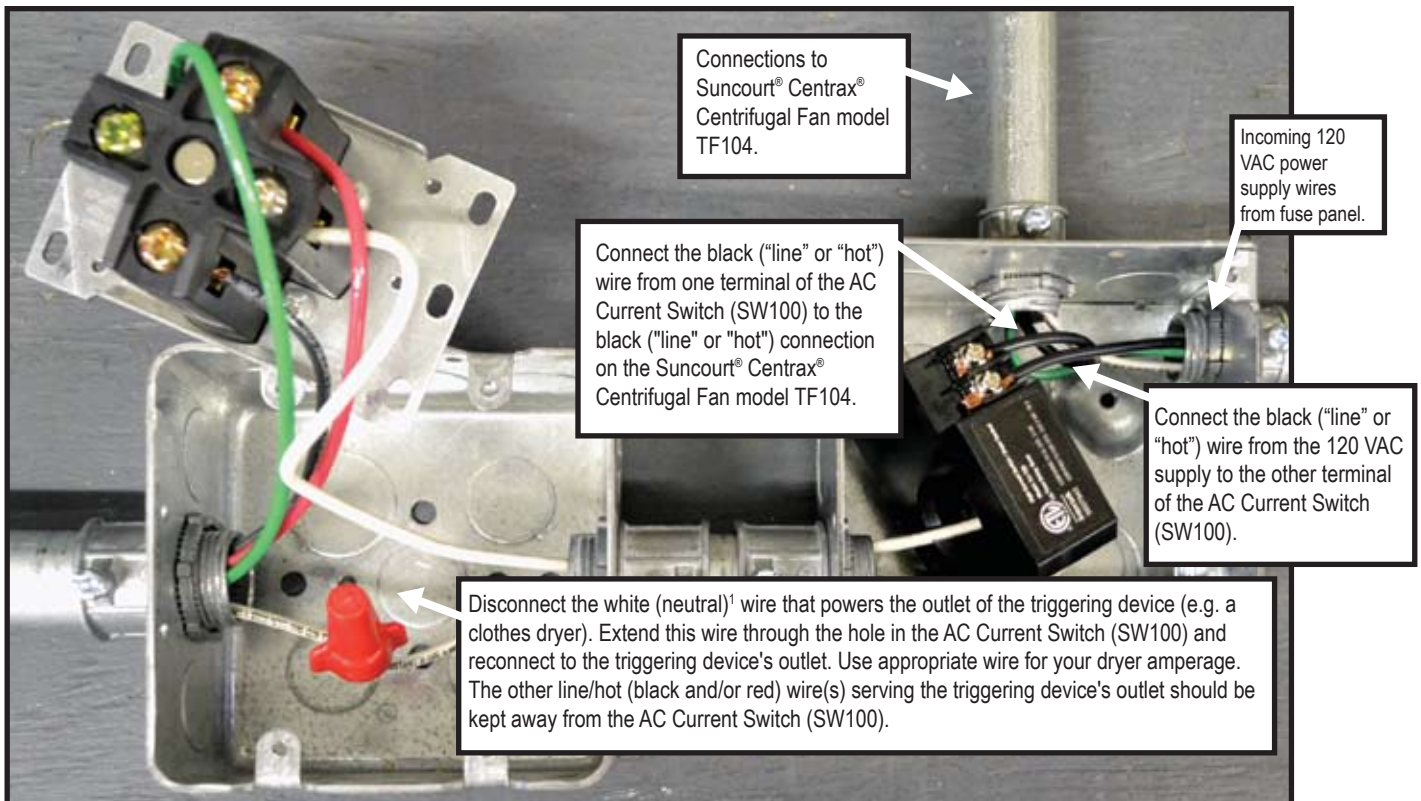
### INSTALLATION

1. Attach an approved junction box next to the existing junction box (or outlet) of the triggering device (e.g. a clothes dryer). This new box will house the AC Current Switch (SW100). This new box requires a blank cover plate.
2. Disconnect the white (neutral)<sup>1</sup> wire that powers the outlet of the triggering device (e.g. a clothes dryer). Extend this wire through the hole in the AC Current Switch (SW100) and reconnect to the triggering device's outlet. The other line/hot (black and/or red) wire(s) serving the triggering device's outlet should be kept away from the AC Current Switch (SW100).
3. Run a 120VAC power supply cable to the new junction box. This will serve as the remote device's (e.g. a Suncourt® Centrax® Centrifugal Fan) power supply. Extend the neutral and ground wires to the remote device (e.g. a Suncourt® Centrax® Centrifugal Fan). Connect the black ("line" or "hot") wire from the 120 VAC supply to one terminal of the AC Current Switch (SW100).
4. Connect the black ("line" or "hot") wire from the other terminal of the AC Current Switch (SW100) to the black ("line" or "hot") connection on the remote device (e.g. a Suncourt® Centrax® Centrifugal Fan).

### AC CURRENT SWITCH MODEL SW100

Example for dryer sensing pictured below.

In this example the remote device is the Suncourt® Centrax® Centrifugal Fan model TF104.



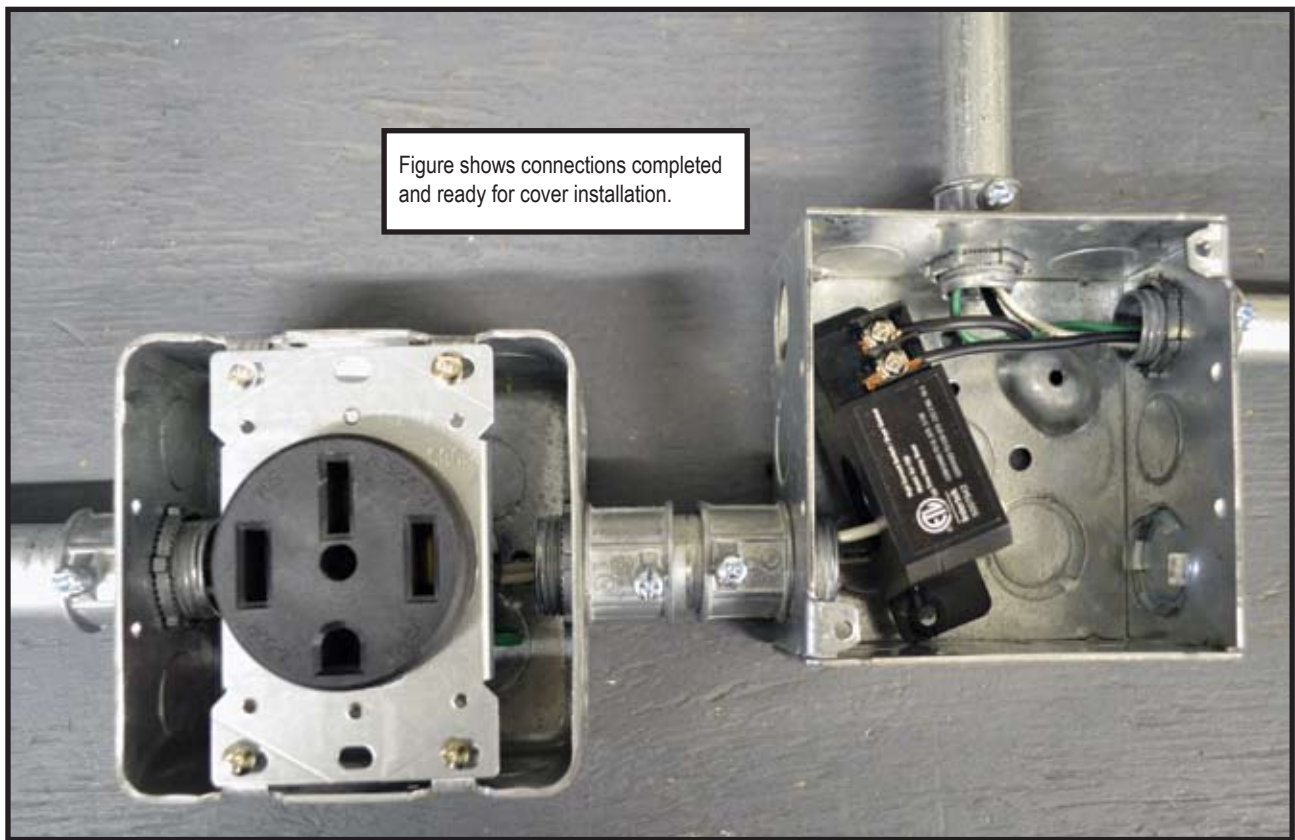


Figure shows connections completed and ready for cover installation.

**NOTES FROM PAGE 1:**

1. For best results, always begin by putting the dryer's white (neutral) wire through the hole of the AC Current Switch (SW100). This configuration works with most common dryers.  
In some less common dryers, the neutral wire does not produce enough current to trigger the current switch. Remove the white (neutral) wire from the hole of the AC Current Switch (SW100) and insert either of the dryer's "hot" wires (red or black) instead. Always only put one conductor through the hole of the AC Current Switch (SW100) while keeping other conductors away.

**ONE YEAR LIMITED WARRANTY**

Subject to the following limitations, the manufacturer warrants to the original purchaser that each new product is free from defects in material and workmanship and agrees to repair or replace under this warranty any defective product or part as follows from the original date of purchase for a period of one (1) year.

**THIS WARRANTY IS NOT TRANSFERABLE AND DOES NOT COVER:**

1. Products sold damaged or incomplete, sold "as is", sold reconditioned or used as rental equipment.
2. Delivery, installation or normal adjustments explained in the owner's manual.
3. Damage or liability caused by shipping, improper handling, improper installation, incorrect voltage, current in excess of the 2.5 A switch rating or improper wiring, improper maintenance, improper modification, or the use of accessories and/or attachments not specifically recommended by the manufacturer.
4. Repairs necessary because of operator abuse or negligence, or the failure to install, operate, maintain and store the product according to the instructions in the owner's manual.
5. Damage caused by cold, heat, rain, excessive humidity, corrosive environments and materials, or other contaminants.
6. Expendable items that become worn during normal use.
7. Freight costs from customer to vender.
8. Repair and transportation costs of products or parts determined not to be defective.
9. Any incidental, indirect or consequential loss, damage, or expense that may result from any defect, failure or malfunction of the product. Some states do not allow the exclusion or limitation of consequential damages so the above exclusions or limitations may not apply to you. Some states do not allow the exclusion or limitations on how long an implied warranty lasts, so the above limitations may not apply to you. You may have other rights which vary from state to state.

A defective unit must be returned, prepaid, with proof of purchase, well packaged to avoid damage in transit. Ship unit to Suncourt Inc. only after obtaining a Return Goods Authorization (RGA) number. Returns without this RGA number will not be accepted.

Actual product appearance may differ from illustrations. Suncourt reserves the right to modify any or all of its products' features, designs, components and specifications without notice.